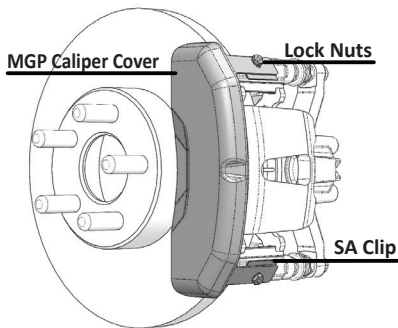


Caliper Covers Quick Installation Guide

MGP CALIPERCOVERS

B



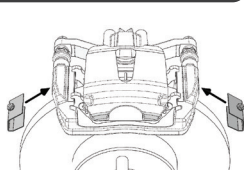
TOOLS REQUIRED

- 3/8 wrench
- .013 feeler gauge
(or included .013 paper strip)

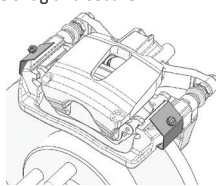
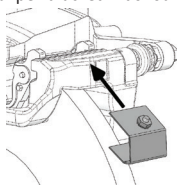
IMPORTANT

- Clip baggies marked FRONT & REAR.
Keep separate.
- Space between wheel and face of
caliper must be 1/8" min.

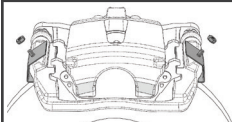
1 SA Clip



Slide the stainless steel clips on each side of the brake caliper bracket. Fit should be snug and secure.

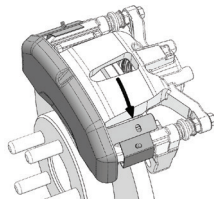
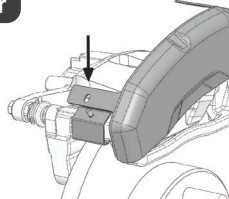


2 MGP Caliper Cover

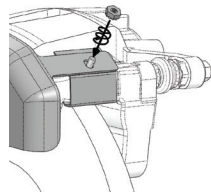
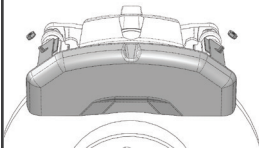


Place one bridge over stud and stretch 2nd bridge over stud.

Remove lock nuts from
snap clips.



3 Lock Nuts

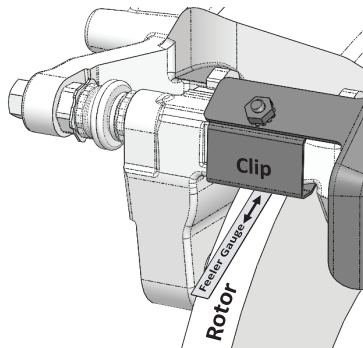


Install the supplied lock nuts
onto the threaded studs to
secure clip to bridge. Tighten
with 3/8-inch wrench or
socket to 25 in pounds. Do
not overtighten nuts.

Troubleshooting Guide

IMPORTANT!

Use feeler gauge or the included paper strip to check clearance between clip and brake rotor. A gap of at least .013 inch (.32 mm) is recommended (enough to slide the paper strip in and out without sticking). Re-install wheel and tighten lugnuts per manufacturer's specification.



Need Help?

- ✉ Email • TECH@CALIPERCOVERS.COM
- ☎ Tech Support • 1.877.995.0003 - Option 2

Scan the QR code for the
installation instructions video

Caliper Cover should rest directly against the face of the brake caliper. The installer should verify that the bridges are set to 88° as depicted on image. Installer may adjust as needed.

