

INSTALLATION INSTRUCTIONS

CUSTOMER SERVICE

Phone: 866-900-8800 • 8:30 am - 5:00 pm Mon - Fri CST

Email: info@undercoverinfo.com



MODEL SPECIFIC GUIDE

HIDDEN HINGE VERSION

**Model 2226 Ford F250/F350
Ext/Crew Cab 6.8' Short Bed 1999-2016
(Without Tailgate Step)**



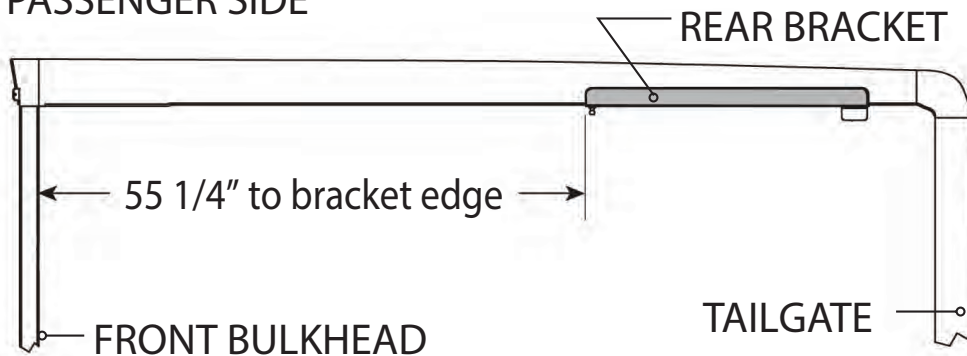
Note: This Cover will work with the tailgate step.



RE: Step 2 on the Quick Start Guide

Measurement for the rear mounting bracket is 55 1/4" from the back side of the bulkhead to the front edge of the bracket.

TOP VIEW PASSENGER SIDE



RE: Step 3 on the Quick Start Guide

Measurement for the front mounting is 16 3/4" from the back side of the bulkhead to the end of the bracket.

The fit of the cover to the truck bed is determined by the front mounting brackets. This measurement is a good starting point. Unfortunately not all truck beds are assembled 100% square, so some adjustments may be necessary after the cover is set on the truck.

TOP VIEW PASSENGER SIDE

